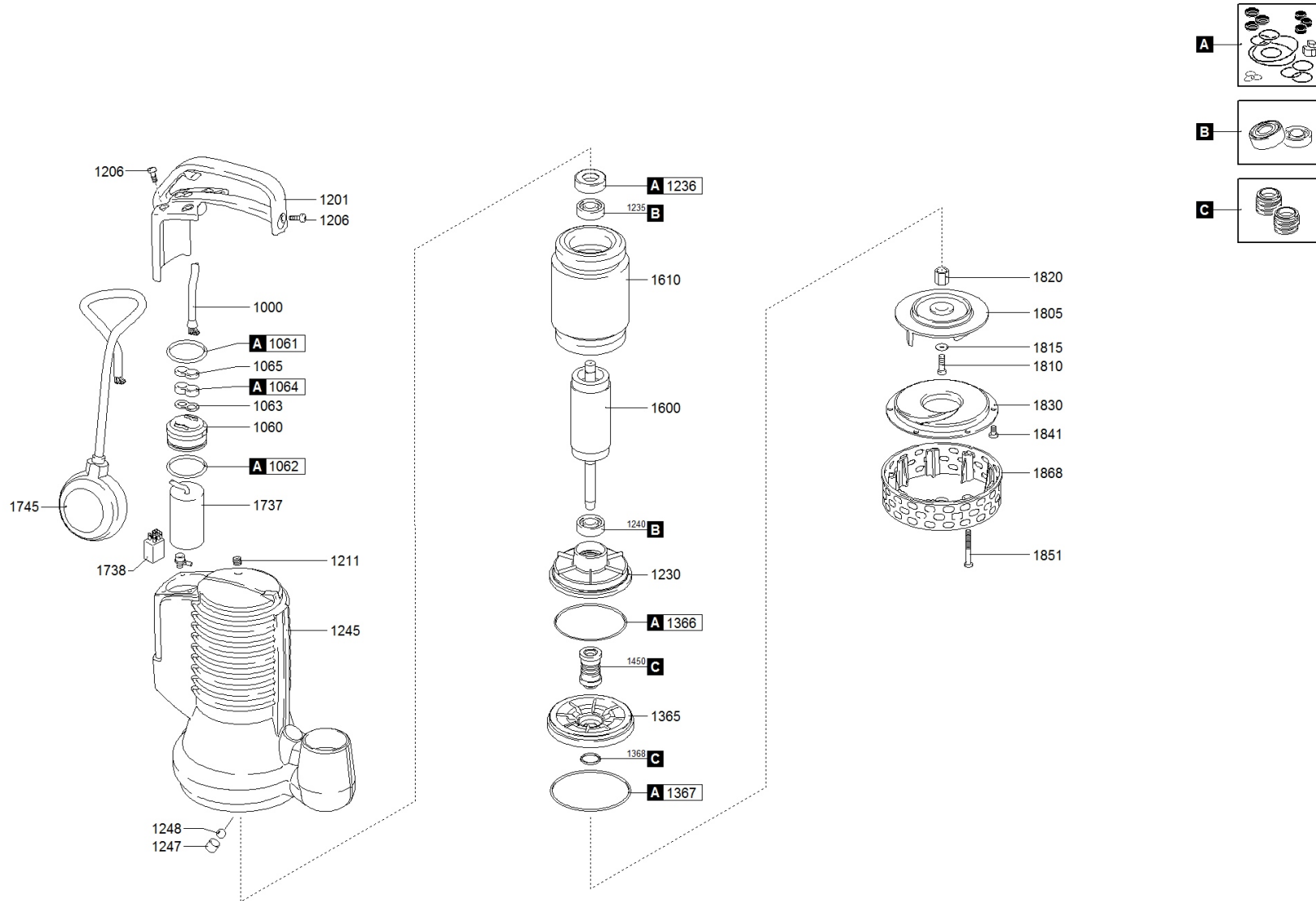


1098.006 - DRBLUEP 75/2/G32V A1BM5 NGTGB51U23NR0NN





water solutions



1098.006 - DRBLUEP 75/2/G32V A1BM5 NGTGB51U23NR0NN

		Code	Description	801156	Q.ty
A		601008001	GASKETS KIT		1
C		602008021	MECHANICAL SEALS KIT		1
B		604008301	BEARINGS KIT		1
1000		250102304010200000	POWER CABLE		1
1060		239768026156	HOLDER [CABLE GLAND]		1
1061		271770412835300000	UPPER GASKET - HOLDER [CABLE GLAND]		1
1062		271770040952620000	LOWER GASKET - HOLDER [CABLE GLAND]		1
1063		235467024279	CABLE STOP		1
1064		235678024236	RUBBER GASKET		1
1065		235467024241	CABLE GLAND		1
1201		235360424137	CABLE GLAND HANDLE		1
1206		270830510149200000	SCREW [CABLE GLAND HANDLE >> COVER]		5
1211		270139510104000000	CAP [TIGHTNESS TEST]		1
1230		230556223465	LOWER BEARING HOLDER		1
1235		2729062010200000	UPPER BEARING		1
1236		238579023531	RUBBER PROTECTION [UPPER BEARING]		1
1240		2729062010200000	LOWER BEARING		1
1245		231016224292	MOTOR CASE		1
1247		2307605724327	BUSH [BREATHER]		1
1248		273077224326	BALL [BREATHER]		1
1365		2391000015023462	MECHANICAL SEAL FLANGE		1
1366		271770088035000000	GASKET [LOWER BEARING HOLDER >> MECHANICAL SEAL FLANGE]		1
1367		271770079018000000	GASKET [MECHANICAL SEAL FLANGE >> BASE]		1
1368		237970100160600000	V-RING [MECHANICAL SEAL FLANGE]		1
1450		230005040120000000	MECHANICAL SEAL		1
1600		230233611423479	SHAFT WITH ROTOR		1
1610		231101141012000000	WOUND STATOR		1
1737		25170120000000	CAPACITOR		1
1745		2545004053000000	FLOAT SWITCH		1
1805		21411000720424296	IMPELLER		1
1810		270830510209200000	LOCKING IMPELLER		1
1815		270530202073000000	LOCKING WASHER [IMPELLER]		1
1830		2162311323458	SUCTION FLANGE		1
1841		270830510109200000	SCREW [SUCTION FLANGE >> MOTOR CASE]		3
1851		270830510459200000	SCREW [STRAINER >> SUCTION FLANGE]		3
1868		216533624230	CLOSED STRAINER		1